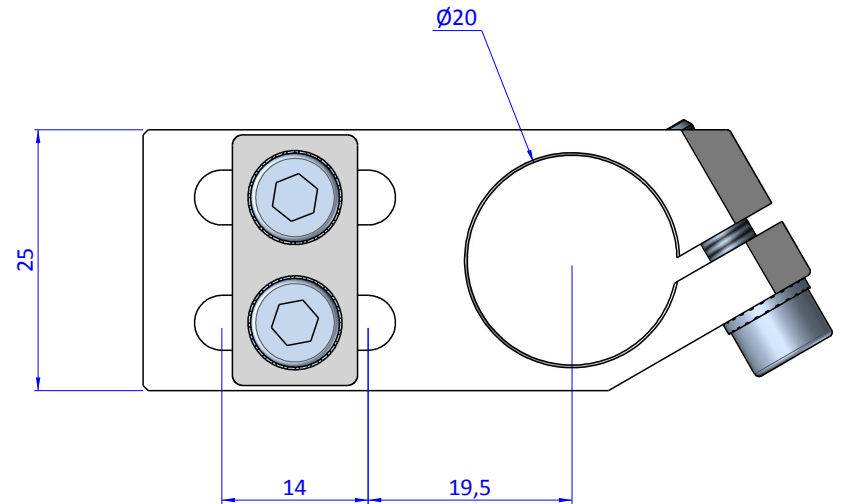
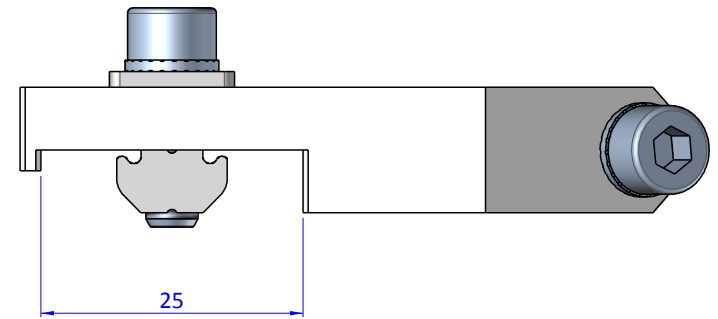
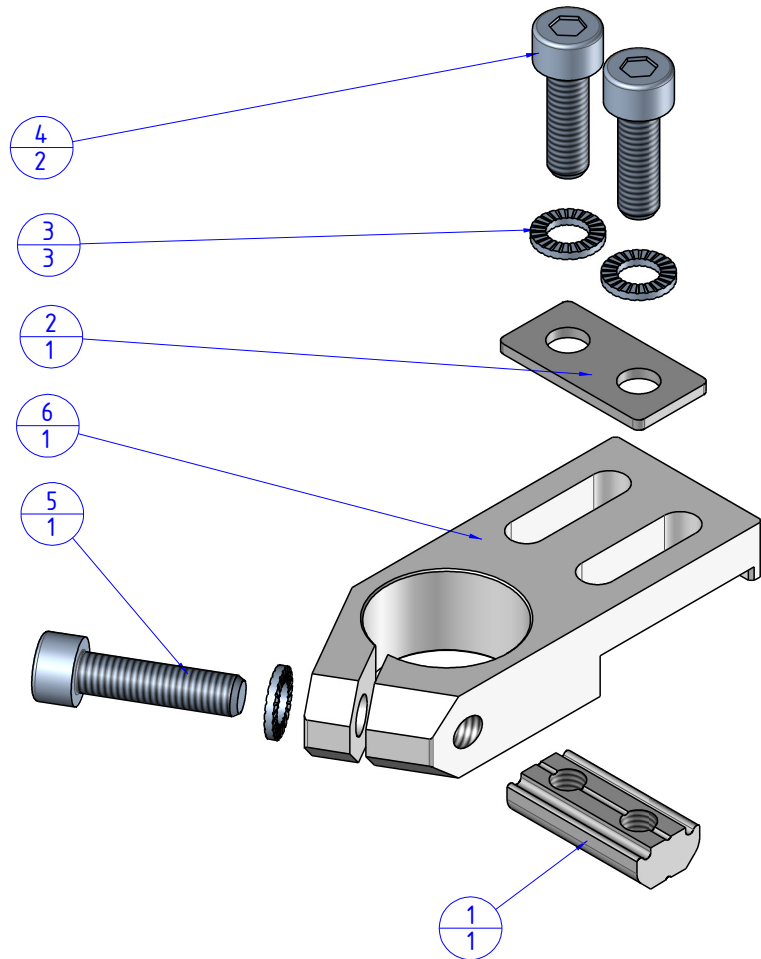


THE PROPERTY OF THE DRAWING IS ESTABLISHED BY LAW. IT IS FORBIDDEN TO PRODUCE OR SHOW IT TO THIRD PARTY, WITHOUT A WRITTEN AGREEMENT.

Object Number	Name	QTY
1	CA.GWP.5.12	1
2	R.05.12	1
3	R.5.SCH	3
4	V.TCE5x16	2
5	V.TCE5x20	1
6	WST.2014	1



Format A3

UNI 936-76

		DESIGNED FROM	REVIEW
		FP SERVICES	A
		DATE	WEIGHT
		06/04/2017	0,046kg
GENERAL TOLERANCE UNI - ISO 2768 CLASSE f		DESCRIPTION CA.WST.2014.X	
		CODE CA.WST.2014.X	